

On-Wall Manifold Cabinets

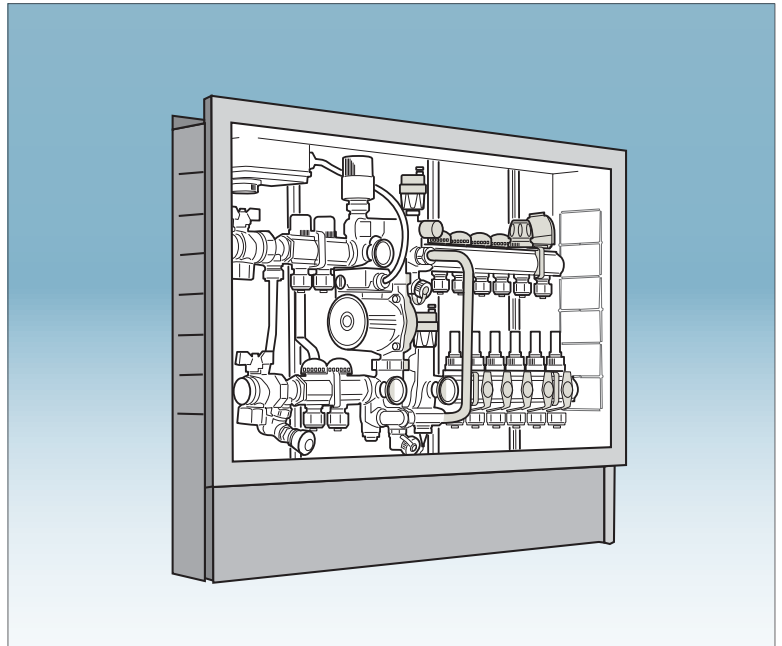
WMS
Underfloor Heating

t: 01707 64 99 22 w: wms-uk.com e: sales@wms-uk.com

On-wall manifold cabinet



Manifold cabinet showing manifold unit



Product Overview

Cabinets are supplied complete and finished in white enamel lacquer finish which does not require any further decoration. If required, the door section can be repainted by others to match specific colour schemes.

The backplate is fitted with full length rails to accommodate the floor mixing unit manifold brackets, complete with integral pumpsets (where used). Main flow and return connections can be brought in from the top or bottom through 'knockouts' provided or holes can be cut to provide other entry points, including from the rear side. Each cabinet is fitted with a roll bar at the bottom to facilitate the entry of pipes connecting to the manifold.

Cabinets are usually mounted directly onto the structural slab and there is sufficient height below the door section to allow for floor construction heights up to 130mm. For floors of a greater depth the cabinet should be raised from the floor by packing or fixing the cabinet to the wall at the required height.

Manifold Cabinet Sizes (external dimensions)

On-wall manifold cabinet: 120mm Brick thickness suitable for 1 1/4" manifold. Quarter turn latch opening.				
Width (mm)	Height (mm)	Depth (mm)	Manifold size (excluding pumpset)	Manifold size (including pumpset)
560	650	130	2-6 ports	2 ports
760	650	130	7-9 ports	3-6 ports
910	650	130	10-12 ports	7-9 ports
1060	650	130		10-12 ports
1260	650	130		

Key latch, optional extra on all models. All manifolds are supplied complete with cover protection during installation.