

# On-Wall Manifold Cabinets

**WMS**  
Underfloor Heating

t: 01707 64 99 22 w: wms-uk.com e: sales@wms-uk.com

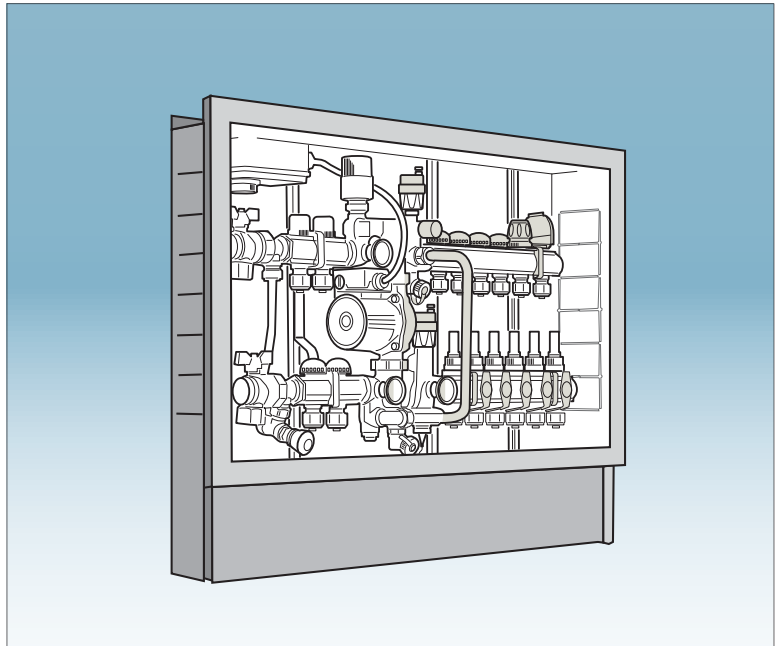
On-wall manifold cabinet (closed)



On-wall manifold cabinet (open)



Manifold cabinet showing manifold unit



## Product Overview

Cabinets are supplied complete and finished in white enamel lacquer finish which does not require any further decoration. If required, the door section can be repainted by others to match specific colour schemes.

The backplate is fitted with full length rails to accommodate the floor mixing unit manifold brackets, complete with integral pumpsets (where used). Main flow and return connections can be brought in from the top or bottom through 'knockouts' provided or holes can be cut to provide other entry points, including from the rear side. Each cabinet is fitted with a roll bar at the bottom to facilitate the entry of pipes connecting to the manifold.

Cabinets are usually mounted directly onto the structural slab and there is sufficient height below the door section to allow for floor construction heights up to 130mm. For floors of a greater depth the cabinet should be raised from the floor by packing or fixing the cabinet to the wall at the required height.

## Manifold Cabinet Sizes (external dimensions)

| On-wall manifold cabinet: suitable for 1 1/4" manifold. Quarter turn latch opening. |             |            |
|---|-------------|------------|
| Width (mm)  | Height (mm) | Depth (mm) |
| 560   | 650         | 130        |
| 760   | 650         | 130        |
| 910   | 650         | 130        |
| 1060  | 650         | 130        |
| 1260  | 650         | 130        |